



PRESS Release

JVC Company of America
Division of JVC Americas Corp.
1700 Valley Road, Wayne, NJ 07470
Telephone: 973-317-5000 Fax: 973-317-5011
www.jvc.com

FOR IMMEDIATE RELEASE

Contacts:

Chelsea Vander Groef
JVC Company of America
973-317-5000, X5312
cvandergroef@jvc.com

JVC News Hotline
1-877-NEWS-JVC
JVCPR@PlannedTVArts.com



Note: This release refers to products that conform to U.S. specifications

NEW JVC HD EVERIO CAMCORDERS OFFER HIGH-PERFORMANCE, COMPACT DESIGN & 1080p60 HDMI OUTPUT

New GZ-HD6 and GZ-HD5 are the world's first 1920 x 1080 Full HD hard disk camcorders with 1080 progressive 60fps HDMI output for Full HD 60p displays.

LAS VEGAS, January 30, 2008 – JVC today announced a pair of new high definition Everio hard disk camcorders that offer industry-leading picture quality in a dramatically reduced size. The new JVC GZ-HD6 and GZ-HD5 HD camcorders are 45 percent smaller than JVC's previous top-end HD camcorder, the GZ-HD7, without any sacrifice in image quality.

To provide the best possible quality, both new HD camcorders feature a FUJINON HD lens, a progressive scan 3CCD imaging system and JVC's HD Gigabrid engine that delivers 1920 x 1080 Full HD recording. In addition, they offer 1080p 60 frame per second output via HDMI 1.3 with x.v.Color™. Collectively these technologies capture and maintain optimum image quality for videos and stills through every stage, from the lens on through to recording. Both camcorders offer a long recording time in 1920 x 1080 Full HD – 10 hours for the 120GB GZ-HD6 and five hours for the 60GB GZ-HD5. They record up to 24 (GZ-HD6) or 12 (GZ-HD5) hours in the 1440 LP mode. Recordings are stored on either the built-in hard disk drive or on an inserted microSD card (optional). Both models also offer a microphone input and a wide

range of manual controls. The black GZ-HD6 also features a lens hood and headphone jack. The smaller silver GZ-HD5 weighs just 1 lb 3.9 oz with battery.

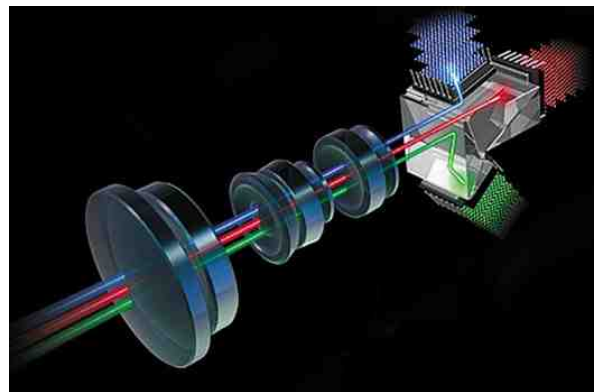
The GZ-HD6/HD5 also come supplied with a full set of Windows® applications for editing and authoring to DVD and Blu-ray disc, as well as plug-in software to facilitate data import into various Macintosh applications. And to make it easy to share and archive recordings, JVC will continue to offer the CU-VD40 Everio SHARE STATION for HD which enables one-button burning of video data to DVD.

FUJINON HD Lens

The HD Everio GZ-HD6/HD5 feature an F1.8-F1.9 10x zoom lens that offers nearly the same brightness throughout its 39.5~395 35mm equivalent (f=3.3mm~33mm) zoom range by virtue of its three aspherical lens elements, one made of indexed glass. In addition, the lens surface is coated with a new Electronic Beam Coating (EBC) that greatly reduces degradation caused by light reflecting off the lens surfaces, leading to greater light transmission and reduced flaring and ghosting. This HD lens was specifically designed by FUJINON, a leader in the professional camera lens market for HD moving images, in conjunction with JVC engineers to offer optimal characteristics for the camcorder's Progressive Scan 3CCD system. In addition, to ensure precise prism/CCD registration, JVC has incorporated FUJINON mounting technology used in professional camcorders.

Progressive Scan 3CCD System

For bright, realistic colors the HD Everio camcorders use three 1/5-inch CCDs – one each for the primary colors red, green and blue, incorporating 16:9 progressive scan CCDs. This voluminous raw information is then processed using pixel shift technology to essentially quadruple the pixel count to create an even more detailed image, providing 2.27 Megapixels total and 2.14 Megapixels effective resolution.



1920 x 1080 Full HD Recording

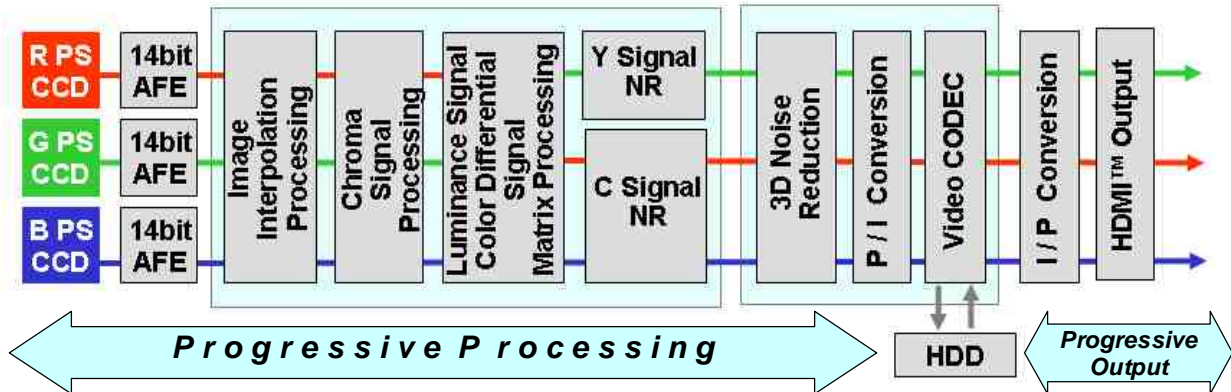
Using the highest quality FHD recording mode, the user can record approximately 10 hours (120GB model) or five hours (60GB model) of full HD 1920x1080 MPEG2 Transport Stream video with MPEG 1 Layer 2 audio. This is truly native HDTV resolution that requires no conversion on the part of the display device to show high definition images.



Also, because it records in the MPEG2 Transport Stream video format, HD Everio recordings can be archived onto Blu-ray discs using provided software and a high definition Blu-ray recorder.

HD Gigabrid Engine

JVC's new HD Gigabrid video engine, which processes in full 1920x1080 progressive video, is the result of years of experience in signal-processing technology, and uses five digital noise-reduction algorithms as well as signal processing to improve vertical scan resolution by approximately 30 percent over JVC's previous interlace technology for an extremely clear and sharp image.



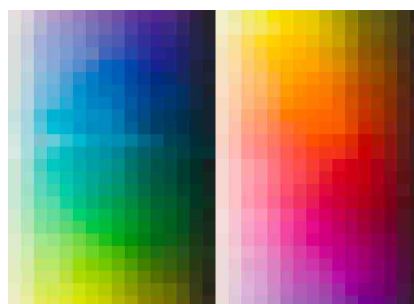
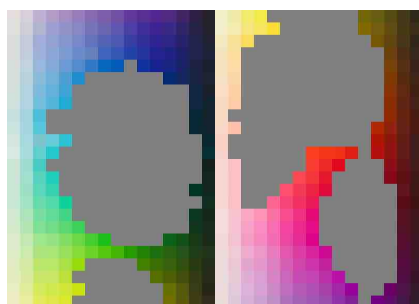
1080p 60 Frame per second Progressive Output Function

By enabling output of a 1080p 60 fps progressive signal, this function enables HD Everio's recordings to be enjoyed on high-end displays. Using the same high power Genessa technology as in our advanced displays, conversion to 1920x1080p at 60 fps provides seamless natural video, free of motion judder during fast action, jaggy lines on angles, and moiré patterns on fine detail when zooming. 1920x1080 HD discs played back via the camera from the CU-VD40 SHARESTATION are also converted to 60 fps progressive.



HDMI™ (V.1.3. with x.v.Color™)*

JVC HD Everio Camcorders record using x.v.Color™ technology. In this universal standard x.v.Ycc, known as x.v.Color™, provides more accurate color reproduction with more detail and shades that looks more natural to the human eye. It can display 100 percent of the colors that the human eye is capable of perceiving, whereas the traditional sRGB system can only display approximately 55 percent. The difference in color reproduction performance is especially noticeable in greens and yellows. These new HD Everio camcorders output to televisions directly using HDMI™ (V.1.3. with x.v.Color™).



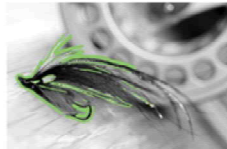
sRGB only covers 55% of visible colors x.v.Ycc covers 100% of visible colors

Graphics provided by: JEITA (Japan Electronics and Information Technology Industries Association)

*x.v.Color and its logo are registered trademarks

Optical Image Stabilization (OIS)

To preserve the Full HD quality, the HD Everio features optical image stabilization, avoiding the signal degradation caused by electronic image stabilization, which might be particularly noticeable in HD footage. In short, HD Everio matches its high-definition recording capability with a proven HD lens section that has proven its value in the broadcast industry.



Focus Assist



Zebra Function

Various Shooting Assist Functions

While HD Everio camcorders offer fully automated operation for point-and-shoot simplicity, they also offer a wide range of manual controls. These include a manual focus ring, manual white balance, exposure control, shutter priority mode, aperture priority mode and sharpness control. In addition, a Focus Assist function displays the edge of the in-focus elements in color while

the rest of the image is black-and-white, making it easy to check which image elements are in focus. And a Zebra function displays a striped pattern across highlight areas on the image in the LCD monitor, making it easier to manually set the exposure.

High Capacity HDD (Hard Disk Drive)

Depending on the model, HD Everio camcorders feature either an embedded 120GB or 60GB hard disk drive, allowing upwards of 10 hours (120GB model) or five hours (60 GB model) recording at the highest quality FHD mode. In addition to this mode, three more are offered to let the user choose the appropriate mode for any situation. These is an SP mode with a resolution of 1440x1080 and maximum bit rate of 22 Mbps., LP mode offering the same resolution but at a slower maximum bit rate of 15 Mbps., and an HDV-i.LINK streaming compatible constant bit rate 1440 CBR mode.

Record Mode	Record Resolution	CODEC Video/Audio	System Bit Rate	Recording Time (120GB / 60GB)
FHD Mode	1920x1080i	MPEG2-TS / MP2 (MPEG1 Layer 2)	Variable Bit Rate (VBR): Max 30Mbps Ave. 26.6Mbps	approx. 10hr / 5hr
SP Mode	1440x1080i	MPEG2-TS / MP2 (MPEG1 Layer 2)	VBR: Max 22Mbps Ave. 19Mbps	approx. 14hr / 7hr
LP Mode	1440x1080i	MPEG2-TS / MP2 (MPEG1 Layer 2)	VBR: Max 15Mbps Ave. 11Mbps	approx. 24hr / 12hr
1440CBR* Mode	1440x1080i	MPEG2-TS / MP2 (MPEG1 Layer 2)	Constant Bit Rate (CBR): 27Mbps	approx. 10hr / 5hr

*For HDV compatible stream via i.LINK

PC-less Archiving using Exclusive DVD Burner

By connecting the GZ-HD6/HD5 directly to the optional CU-VD40 HD Everio SHARE STATION via USB, the user can burn HD 12cm DVD discs to make backups and permanent archives of selected scenes in any desired order with just a few simple steps. There are several options for selecting clips to be burned to disc -- all clips, manual selection of specific clips, clip files not yet copied, by date, video playlists created in-camera and comprised of multiple user-selected clips, or by event type for those clips that have been tagged with an icon representing an event category (e.g. birthday, baby, graduation, vacation, etc.).



Full Complement of Interfaces

HD Everio camcorders are equipped with three digital interfaces – USB, HDMI and Firewire/i.LINK. USB is primarily for file saving, HDMI for digital viewing on large screen displays, and Firewire/i.LINK streams high definition video in full resolution or the 1440CBR mode. High definition video streamed by Firewire/i.LINK in the 1440CBR mode is HDV-compatible and allows footage to be edited using HDV-compatible software (functionality might be limited with some applications). HD recorded material is down-converted for output in DV over Firewire/i.LINK, or in standard definition via the analog component/ S-Video/ composite output.

High Value Software Supplied

For editing and archiving via PC, the HD Everio comes with the CyberLink BD Solution software suite for Windows. This includes PowerDirector for HD video editing, PowerProducer for authoring high definition Blu-ray discs and DVD-Video discs, and PowerCinema for HD file management and playback. Also included is a plug-in that works up to 1920x1080i with Apple iMovie HD and Final Cut Pro video software for the Macintosh.

The JVC GZ-HD6, offered in black, and the GZ-HD5, offered in silver, will be available in March for \$1,399.99 and \$1,199.99, respectively.

About JVC Company of America

JVC Company of America, headquartered in Wayne, New Jersey, is a division of JVC Americas Corp., a wholly-owned subsidiary of Victor Company of Japan Ltd., and a holding company for JVC companies located in North and South America. JVC distributes a complete line of video and audio equipment, including high definition displays, camcorders, DVD players and recorders, home and portable audio equipment, mobile entertainment products and recording media. For further product information, visit JVC's Web site at <http://www.jvc.com> or call 800-526-5308.

JVC Everio GZ-HD6 and GZ-HD5 Specifications

Model name	GZ-HD6	GZ-HD5
Audio/video recording and playback format	MPEG-2 TS/ MPEG-1 Audio Layer II	
Image sensor	1/5-inch, 0.57 mega-pixel CCD x 3 (Effective area: Video: 0.53 mega-pixel each) CCD Block output 2.27 Megapixel (2.14 Megapixel effective)	
Lens (35mm lens equiv.)	Video: F Wide(1.8)-Tele(1.9): f=3.3mm-33mm (35mm lens equiv.: 39.5mm-395mm) Optical 10x Zoom (digital 200x zoom)	
Filter diameter	43.0 mm (0.75 mm pitch)	
Minimum brightness	7 Lux (Auto Slow-shutter: 1/30, sensitivity up: AGC)	
Microphone	Stereo	
Monitor	207,000-pixel 2.8-inch color LCD (16:9 wide screen)	
Viewfinder	269,000-pixel 0.57-inch color LCD	
Still Format	JPEG (supports DCF, DPOF and PRINT Image Matching III)	
Hard disk capacity	120 GB	60 GB
Interfaces	HDMI output, USB mini-connector, S output terminal, AV output (ø3.5mm mini plug) terminal, component output cable, Firewire/ i.LINK output, microSD card slot	
Power Source	(AC adapter) DC 11.0V, (Battery) DC 7.2V	
Approx. power consumption	7.1 W	6.9 W
Dimensions (W x H x D)	79 x 73 x 138 mm (3.1 x 2.9 x 5.1 inches) (including maximum extrusion)	78 x 73 x 130 mm (3 x 2.9 x 5.1 inches) (including maximum extrusion)
Approx. weight	505g (1lb 1.8oz), 590g (1lb 4.8oz) while shooting including battery	480g (1lb 0.9oz), 565g (1lb 3.9oz) while shooting including battery

Approx. continuous shooting time (typical time including zoom in parentheses)*³

Battery type	Model	BN-VF815	BN-VF823
Using LCD monitor	HD5	1 hour and 25 min. (40min.)	2 hours and 5 min (1 hour)
	HD6	1 hour and 20 min. (40 min.)	2 hours (1 hour)

Approx. video shooting capacity*³

Image size	1920 x 1080 pixels	1440 x 1080 pixels		
		SP	LP	1440CBR
Image mode	FHD			
GZ-HD6 (120GB)	10 hours	14 hours	24 hours	10 hours
GZ-HD5 (60GB)	5 hours	7 hours	12 hours	5 hours
microSDHC card (sold separately) 4GB	-	25 min.	-	-

*³ Continuous shooting time and typical shooting time are approximate. To record video, a microSDHC card with Class 4 or higher performance is required. microSD memory cards (256MB to 2GB) and microSDHC memory cards (4GB) have been tested for the following brands: Panasonic, Toshiba, SanDisk, ATP. Note that using other media may result in recording failure or data loss. For compatibility of memory cards, please consult an authorized JVC dealer.

Approx. number of stills*4

Image size	1920 x 1080 pixels	1440 x 1080 pixels	1024 x 768 pixels	640 x 480 pixels
Image mode	Fine/ Standard	Fine/ Standard	Fine/ Standard	Fine/ Standard
512MB	535/ 840	705/ 1110	1415/ 2225	3465/ 6235
1GB	1065/ 1670	1405/ 2205	2810/ 4115	6870/ 9999
2GB	2115/ 3225	2785/ 4380	5575/ 8765	9999/ 9999
4GB	4220/ 6445	5565/ 8750	9999/ 9999	9999/ 9999

*4 Number of still pictures is approximate.

Provided Accessories

TBD

CD-ROM Contents

- “Digital Photo Navigator (for Windows®)”
- CyberLink BD Solution™ “Power Cinema™ NE for Everio (for Windows®)”
“PowerDirector™ 6NE (for Windows®)” “PowerProducer™ 4NE (for Windows®)”
- QuickTime component for Everio (for Macintosh) ”

PC Connection Kit Requires the Following OS

<Windows® >

- Digital Photo Navigator
- CyberLink BD Solution™

Microsoft®: Windows® XP Home Edition(SP2) / Professional(SP2) (Pre-install model)

*It must be equipped with a standard USB 2.0 interface.

Microsoft®: Windows® Vista™ Home Basic / Home Premium(32-bit edition, pre-installed)

CPU: Intel® Pentium® 4, at least 3.2GHz

Intel® Core™ Duo, at least 1.66GHz recommended.

Intel® Pentium® M, at least 1.8GHz

RAM Windows® XP: At least 512 MB, at least 1GB recommended

Windows® Vista™: At least 1GB, at least 2GB, recommended.

Unused space on hard disk drive: Approx. 750 MB or up needed. When creating a Blu-ray disc, 30GB or up is required. (60GB or up is recommended).

<Macintosh>

- “QuickTime component for Everio”

Hardware: Macintosh with 1.25GHz or faster PowerPC G4/G5, or Intel® Processors.

(Intel® Core™ Duo at least 1.66GHz recommended)

*: It must be equipped with a standard USB 2.0 interface.

OS: Mac OS X (10.4.4 to 10.4.11, 10.5.1)

RAM: at least 512 MB, at least 1GB recommended

- Above conditions do not guarantee operations of all PCs with provided USB 2.0 interfaces.
- Above conditions are as of January 30, 2008. They are subject to change.
- Microsoft® and Windows® are registered trademarks of Microsoft Corporation in the United States and other countries.
- Apple, Apple logo, Macintosh, Mac OS, QuickTime iMovie, and Final Cut Pro are registered trademarks of Apple Computer, Inc. in the United States.
- HDV and the HDV logo are trademarks of Sony Corporation and Victor Company of Japan, Limited (JVC).
- Other company and product names are registered trademarks of their respective companies.
- Product outer design and specifications may be changed without notice.
- Details will be available in the JVC catalog and on the JVC website.

CU-VD40 Everio DVD Burner – Specifications

While connecting with Everio GZ-HD5/HD6	Interface		USB 2.0	
	Discs that CU-VD40 supports* ⁵		DVD-R, DVD-RW, DVD-R DL	
	Recording format	Video	Data	
		Still	Data	
Interface cable		Provided USB cable		
While connecting with PC	Interface		USB 2.0 or USB 1.1	
	Data buffer capacity		2 MB	
	Data transmission speed	Writing	DVD-R	Max. x8
			DVD-RW	Max. x4
			DVD-R DL	Max. x4
		Reading	DVD-R	Max. x12
			DVD-RW	Max. x12
			DVD-R DL	Max. x8
			CD-R	Max. x10
			CD-RW	Max. x10
	Compatible discs* ¹⁰	Writing	DVD-R, DVD-RW, DVD-R DL	
		Reading	DVD-ROM, DVD-Video, DVD-R, DVD-RW, DVD-R DL, CD-ROM, CD-DA, CD Extra, Video CD, Mixed CD, CD-R, CD-RW	
		OS	'Windows® XP Home Edition / Professional (pre-installed) 'Windows Vista™ Home Basic/Home Premium (32-bit edition, pre-installed)	
	CPU	Intel® Pentium® III 800 MHz or up (Pentium® 4 2GHz or up recommended)		
		RAM	128 MB or up (256 MB or up recommended)	
Interface cables		Provided USB cable with Everio		
Support software		CyberLink PowerProducer 4NE (provided with Everio, for DVD creation)		
		CyberLink Power2Go 5.5 Lite (provided, for data writing)		
Playback functions	Support discs		Discs created by connecting the burner and the Everio camcorder Discs created with provided software (such as MPEG2)	
	Output terminals		HDMI output: Auto->480p->1080i->720p Component video output: 480i->480p->1080i->720p Composite video: 480i Analog Audio output: Stereo	
Recommended discs* ⁶	DVD-R	JVC, TDK, Verbatim, SONY		
	DVD-RW	JVC		
	DVD-R DL	JVC, Verbatim		
Dimensions (W x H x D)		171 mm x 56 mm x 262 mm		
Weight		Approx. 1.4 kg		
Standard current		1.7A		

*5: The CU-VD40 does not support 8-cm discs.

*6: Depending on the disc the CU-VD40 may not function optimally, so using manufacturers' media mentioned above that was tested with the CU-VD40 is recommended.

- HDMI cable is not included with the CU-VD40.
- The CU-VD40 does not support Macintosh.
- Microsoft® and Windows® are registered trademarks of Microsoft Corporation in the United States and other countries.
- Other names of companies and products are registered trademarks of those companies.
- Product outer design and specifications may be changed without notice.
- Details will be available in the JVC catalogue and on the JVC website.

###